

艾默生全配置一體壓縮冷凝機組

Emerson is fully equipped with one-piece compression condensing unit using ZB / ZSI / ZFI refrigeration scroll compressor, Dryer, pressure

controller and solenoid valve, greatly improving the reliability of the whole machine. The condenser uses hydrophilic aluminum foil, corrosion

resistance, long service life; 20% more than the normal condensing area of the market, no longer high pressure and high temperature failure risk; resistance, long service life; 20% more than the normal condensing area of the market, no longer high pressure and high temperature failure risk; 提升了運行效率，可以比普通型省電 30%，降低了能耗和故障率。

It can save 30% of electricity compared with common type, and reduce energy consumption and failure rate. The new appearance design, Shell 全新的外觀設計，外殼經受嚴格鹽霧實驗，再加上高防腐的噴塗層，使機組能經受住惡劣 to withstand the strict salt spray test, coupled with high anti-corrosion spray coating, so that the unit can withstand the harsh outdoor working 的室外工作環境。所有螺絲均為不鏽鋼螺絲，鍍金厚度增加 50%，機組更厚重，幾乎無噪音 environment. All screws are stainless steel screws, sheet metal thickness increased by 50%, the unit is thicker, almost no noise.

Copeland Scroll™

EMERSON
Climate Technologies

艾默生全配置壓縮冷凝機組 Full configuration condensing unit of Emerson

求實 創新 持續 發展

Be Realistic Innovation Sustained Development

我們的使命： Our mission :

保障居民舒適和健康

To protect the comfort and health of the residents

保障食品質量和可持續性

Ensuring food quality and sustainability

改善能效和保護環境

Improving energy efficiency and protecting the environment

建立可持續性的基礎設施

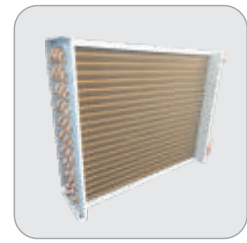
Building sustainable infrastructure



Danfoss Pass filter



Olaf solenoid valve



High efficiency radiator



SAGINOMIYA Pressure Controller



External Rotor radiator motor



Emerson Compressor



寶豐冷凍設備有限公司

Proficient Refrigeration Equipment Company Ltd.

地址：香港荃灣橫龍街48-56號宏龍工業大廈5樓4室

Flat 4, 5/F, Wang Lung Industrial Building., 48-56 Wang Lung Street, Tsuen Wan, NT, HK

電話：852 2612 0988 / 2612 1088

傳真：852 3698 1917

郵箱：pre@mceehk.com

廈門軒寶冷凍設備貿易有限公司

XIA MEN XUAN BAO REFRIGERATION EQUIPMENT TRADING COMPANY LIMITED

地址：廈門市思明區會展南里109號606

XIA MEN SHI SI MING QU HUI ZHAN NAN LI 109 HAO 606



寶豐冷凍設備有限公司

Proficient Refrigeration Equipment Company Ltd.



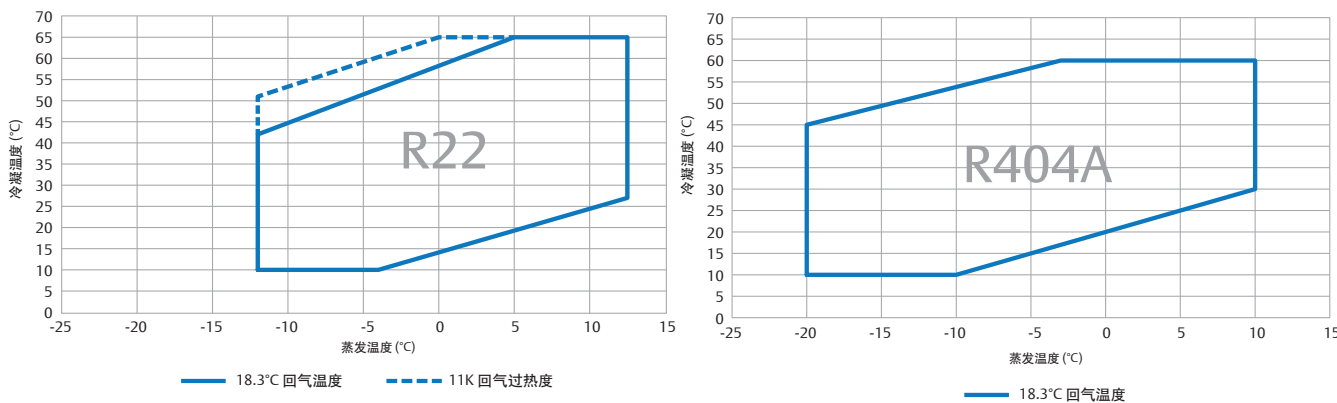
Copeland Scroll™



产品特点
Product characteristics

- 採用艾默生冷凍渦旋壓縮機，自適應性渦旋技術，低故障率，高可靠性
Using Emerson Refrigeration Scroll compressor, adaptive scroll technology, low failure rate, high reliability
- 新穎高效的銅管翅片式冷凝器，不易臟堵，換熱效率高，使用壽命長
Novel and High Efficient Copper Tube Fin condenser, not easy to dirty block, high heat transfer efficiency, long service life
- 工業商用型，可變速風機，震動小，噪音低，運行壓力更平穩
Industrial and commercial type, variable speed fan, small vibration, low noise, more stable running pressure
- 優化設計的製冷迴路，釦焊連接，易安裝，更高氣密性
Optimized design of refrigeration loop, soldering linkage, easy installation, higher air tightness
- 無需附加配置，真正超寬的使用範圍（+15°C~-30°C）
No additional configuration required, really wide range of use (+15°C~-30°C)
- 美觀的外觀設計和優良的抗氣候性
Beautiful Exterior design and excellent weather resistance

PRE/ZB/ZSI Safe Operating Range



型号说明
Model description

PRE / CF / ZB15KQE

壓縮機型號
Type of compressor

CF：敞開式風冷，CW：敞開式水冷
CF: Open air cooling, CW: Open water cooling

寶豐產品標識
Baofeng product identification

Main configuration of unit

壓縮機 Compressor 冷凝器 Condenser 儲液瓶 Liquid storage bottle 過濾器 Pass filter 電磁閥 SOLENOID valve 視液鏡 Hydroscope 壓力控制器 Pressure Controller 高低壓表 High and low voltage meter 進出管接口閥 Inlet and outlet valve 機組接線柱 Unit Post

Main technical parameters

冷凝溫度50°C，吸氣過熱度10°C
Condensation temperature 50°C, Suction superheat 10°C

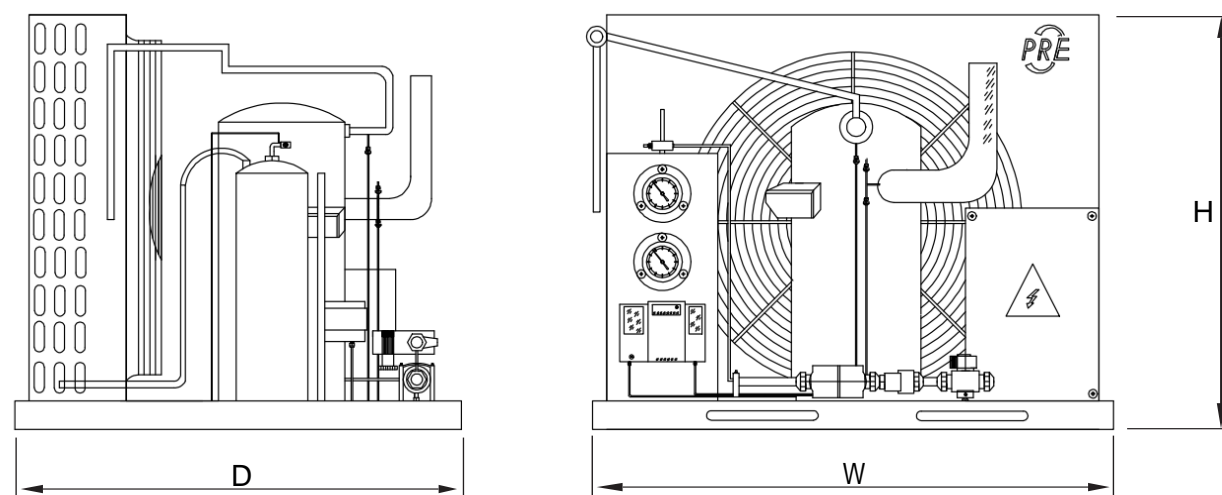
機組型號 Unit type	名義馬力 (HP)	壓縮機型號 Type of compressor	電壓 (V)	冷凝器風扇 Condenser Fan		製冷劑 Refrigerants	製冷量w/蒸發溫度 °C Capacity W / Evaporation Temperature °C			接口/Interface		外形尺寸 Contour dimension (W*D*H)
				直徑*數量 Diameter * Quantity	最大風量 AIR FLOW m³/h		-10°C	-5°C	0°C	供液接口 Feed interface (Inch)	吸氣接口 Inspiratory interface (Inch)	
PRE/CF/ZB15KQE	2	ZB15KQE	220/380	Φ400*1	3920	R404	2950	3600	4300	3/8	3/4	600*600*580
PRE/CF/ZB21KQE	3	ZB21KQE	220/380	Φ400*1	3920	R404	4550	5500	6550	3/8	3/4	600*700*580
PRE/CF/ZB29KQE	4	ZB29KQE	220/380	Φ400*2	7840	R404	6200	7450	8900	1/2	7/8	1050*750*630
PRE/CF/ZB38KQE	5	ZB38KQE	380	Φ400*2	7840	R404	7800	9400	11200	1/2	7/8	1050*750*650
PRE/CF/ZB45KQE	6	ZB45KQE	380	Φ400*2	7840	R404	9150	11000	13100	1/2	7/8	1050*750*650
PRE/CF/ZB48KQE	7.5	ZB48KQE	380	Φ400*2	7840	R404	10050	12050	14400	1/2	7/8	1050*750*680
PRE/CF/ZB58KQE	8	ZB58KQE	380	Φ400*4	15680	R404	12000	14600	17500	5/8	1-1/8	1030*900*1080
PRE/CF/ZB66KQE	9	ZB66KQE	380	Φ400*4	15680	R404	13650	16350	19450	5/8	1-1/8	1250*950*1080
PRE/CF/ZB76KQE	10	ZB76KQE	380	Φ400*4	15680	R404	16200	19500	23250	5/8	1-1/8	1250*950*1080
PRE/CF/ZB95KQE	13	ZB95KQE	380	Φ400*4	15680	R404	19500	23750	28350	5/8	1-3/8	1250*950*1080
PRE/CF/ZB114KQE	15	ZB114KQE	380	Φ400*4	15680	R404	23000	28200	33950	7/8	1-3/8	1250*950*1080

Main technical parameters

冷凝溫度50°C，吸氣過熱度10°C
Condensation temperature 50°C, Suction superheat 10°C

機組型號 Unit type	名義馬力 (HP)	壓縮機型號 Type of compressor	電壓 (V)	冷凝器風扇 Condenser Fan		製冷劑 Refrigerants	製冷量w/蒸發溫度 °C Capacity W / Evaporation Temperature °C			接口/Interface		外形尺寸 Contour dimension (W*D*H)
				直徑*數量 Diameter * Quantity	最大風量 AIR FLOW m³/h		-30°C	-25°C	-20°C	供液接口 Feed interface (Inch)	吸氣接口 Inspiratory interface (Inch)	
PRE/CF/ZSI06KQE	2	ZSI06KQE	220/380	Φ400*1	3920	R404	1340	1690	2110	3/8	3/4	600*700*580
PRE/CF/ZSI09KQE	3	ZSI09KQE	220/380	Φ400*1	3920	R404	1800	2320	2890	3/8	3/4	600*700*580
PRE/CF/ZSI14KQE	4	ZSI14KQE	220/380	Φ400*2	7840	R404	3070	3840	4740	1/2	7/8	1050*750*630
PRE/CF/ZSI15KQE	5	ZSI15KQE	380	Φ400*2	7840	R404	3550	4520	5530	1/2	7/8	1050*750*650
PRE/CF/ZSI18KQE	6	ZSI18KQE	380	Φ400*2	7840	R404	4380	5420	6630	1/2	7/8	1050*750*650
PRE/CF/ZSI21KQE	7.5	ZSI21KQE	380	Φ400*2	7840	R404	4910	6050	7400	1/2	7/8	1050*750*680
PRE/CF/ZFI39KQE	9	ZFI39KQE	380	Φ400*4	15680	R404	10120	11970	14060	5/8	1-3/4	1250*950*1080
PRE/CF/ZFI50KQE	10	ZFI50KQE	380	Φ400*4	15680	R404	11680	14070	16790	5/8	1-3/4	1250*950*1080
PRE/CF/ZFI59KQE	13	ZFI59KQE	380	Φ400*4	15680	R404	14210	17140	20450	5/8	1-3/4	1250*950*1080
PRE/CF/ZFI68KQE	15	ZFI68KQE	380	Φ400*4	15680	R404	16140	19450	23200	5/8	1-3/4	1250*950*1080

Outline Dimension Drawing of unit



Main configuration of unit

壓縮機 Compressor 油分 Oil Content 氣分 Air Fraction 冷凝器 Condenser 儲液瓶 Liquid storage bottle 過濾器 Pass filter 視液鏡 Hydroscope 電磁閥 SOLENOID valve 壓力控制器 Pressure Controller 高低壓表 High and low voltage meter 排氣消音器 Exhaust Silencer 機組接線柱 Unit Post

Main technical parameters

冷凝溫度40°C，吸氣過熱度10°C
Condensation temperature 50°C, Suction superheat 10°C

機組型號 Unit type	名義馬力 (HP)	壓縮機型號 Type of compressor	電壓 (V)	水炮接口 Water cannon interface		製冷劑 Refrigerants	製冷量w/蒸發溫度 °C Capacity W / Evaporation Temperature °C			接口/Interface		外形尺寸 Contour dimension (W*D*H)
				入水接口 Inlet interface	出水接口 Outlet interface		-10°C	-5°C	0°C	供液接口 Feed interface (Inch)	吸氣接口 Inspiratory interface (Inch)	
PRE/CW/ZB15KQE	2	ZB15KQE	220/380	1-1/2"	1-1/2"	R404	2950	3600	4300	3/8	3/4	880*450*730
PRE/CW/ZB21KQE	3	ZB21KQE	220/380	1-1/2"	1-1/2"	R404	4550	5500	6550	3/8	3/4	880*450*730
PRE/CW/ZB29KQE	4	ZB29KQE	220/380	1-1/2"	1-1/2"	R404	6200	7450	8900	1/2	7/8	990*450*750
PRE/CW/ZB38KQE	5	ZB38KQE	380	1-1/2"	1-1/2"	R404	7800	9400	11200	1/2	7/8	1030*450*750
PRE/CW/ZB45KQE	6	ZB45KQE	380	1-1/2"	1-1/2"	R404	9150	11000	13100	1/2	7/8	1030*450*770
PRE/CW/ZB48KQE	7.5	ZB48KQE	380	1-1/2"	1-1/2"	R404	10050	12050	14400	1/2	7/8	1130*480*770
PRE/CW/ZB58KQE	8	ZB58KQE	380	1-1/2"	1-1/2"	R404	12000	14600	17500	5/8	1-1/8	1130*500*950
PRE/CW/ZB66KQE	9	ZB66KQE	380	1-1/2"	1-1/2"	R404	13650	16350	19450	5/8	1-3/8	1180*500*950
PRE/CW/ZB76KQE	10	ZB76KQE	380	1-1/2"	1-1/2"	R404	16200	19500	23250	5/8	1-3/8	1350*550*950
PRE/CW/ZB95KQE	13	ZB95KQE	380	1-1/2"	1-1/2"	R404	19500	23750	28350	5/8	1-3/8	1350*550*950
PRE/CW/ZB114KQE	15	ZB114KQE	380	2"	2"	R404	23000	28200	33950	7/8	1-3/8	1290*600*1005

Main technical parameters

冷凝溫度40°C，吸氣過熱度10°C
Condensation temperature 50°C, Suction superheat 10°C

機組型號 Unit type	名義馬力 (HP)	壓縮機型號 Type of compressor	電壓 (V)	水炮接口 Water cannon interface		製冷劑 Refrigerants	製冷量w/蒸發溫度 °C Capacity W / Evaporation Temperature °C			接口/Interface		外形尺寸 Contour dimension (W*D*H)
				入水接口 Inlet interface	出水接口 Outlet interface		-30°C	-25°C	-20°C	供液接口 Feed interface (Inch)	吸氣接口 Inspiratory interface (Inch)	
PRE/CW/ZSI06KQE	2	ZSI06KQE	220/380	1-1/2"	1-1/2"	R404	1660	2050	2540	3/8	3/4	880*450*730
PRE/CW/ZSI09KQE	3	ZSI09KQE	220/380	1-1/2"	1-1/2"	R404	2340	2930	3600	3/8	3/4	880*450*730
PRE/CW/ZSI14KQE	4	ZSI14KQE	220/380	1-1/2"	1-1/2"	R404	3640	4560	5650	1/2	7/8	990*450*750
PRE/CW/ZSI15KQE	5	ZSI15KQE	380	1-1/2"	1-1/2"	R404	4010	5110	6310	1/2	7/8	1030*450*750
PRE/CW/ZSI18KQE	6	ZSI18KQE	380	1-1/2"	1-1/2"	R404	5160	6380	7810	1/2	7/8	1030*450*770
PRE/CW/ZSI21KQE	7.5	ZSI21KQE	380	1-1/2"	1-1/2"	R404	5770	7100	8700	1/2	7/8	1130*480*770
PRE/CW/ZFI39KQE	9	ZFI39KQE	380	1-1/2"	1-1/2"	R404	10630	12710	15040	5/8	1-3/4	1180*500*950
PRE/CW/ZFI50KQE	10	ZFI50KQE	380	1-1/2"	1-1/2"	R404	12400	14910	17770	5/8	1-3/4	1350*550*950
PRE/CW/ZFI59KQE	13	ZFI59KQE	380	1-1/2"	1-1/2"	R404	15090	18160	21650	5/8	1-3/4	1350*550*950
PRE/CW/ZFI68KQE	15	ZFI68KQE	380	2"	2"	R404	17130	20600	24560	7/8	1-3/4	1290*600*1005

Outline Dimension Drawing of unit

